

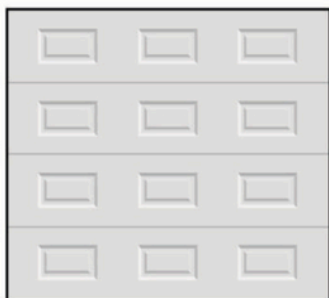


SECTIONAL GARAGE DOORS



EUROPEAN TYPE - FINGER-PROTECTION

PANEL DESIGN



Classic cassette



Universal line



Two rib line



Top one line



AVAILABLE COLORS

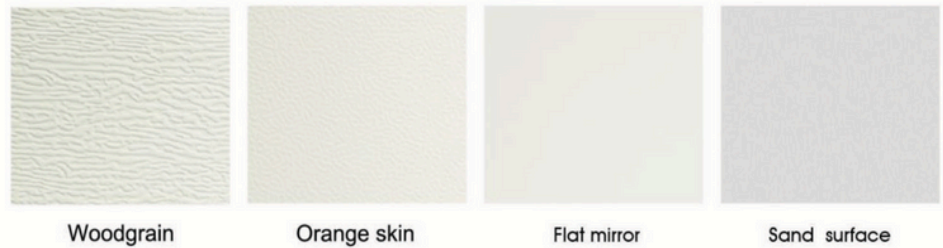
Due to the printing process, colors may vary.



Due to the printing process, colors may vary.



SURFACE EMBOSMENT



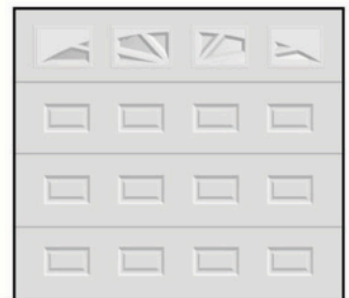
Middle rib line



Micro wave line



Flat



Option: window

- 1 Assist angle
- 2 Top bracket
- 3 Roller
- 4 Motor
- 5 Torsion spring
- 6 Spring broken device
- 7 Tubular shaft
- 8 Cable drum
- 9 Upper track&horizontal track
- 10 Adjustable hinge
- 11 Middle hinge
- 12 Emergency lock
- 13 Bottom bracket
- 14 Handle
- 15 Vertical track
- 16 Door panel

HARDWARE DESCRIPTION

Door may not open properly if installed near the top, depending on opening dimensions and lift type.



CHOOSE YOUR CONSTRUCTION

The construction and insulation type improves energy efficiency, durability and noise control of the door.

Finger-protectonal type



Panel width 430~600mm
 Panel thickness: 40mm
 Density: 45±2kg/m³
 Material: Galvanised steel
 Epoxy paint
 Foaming: B3 grade PU foam

Industrial Finger-protectonal type



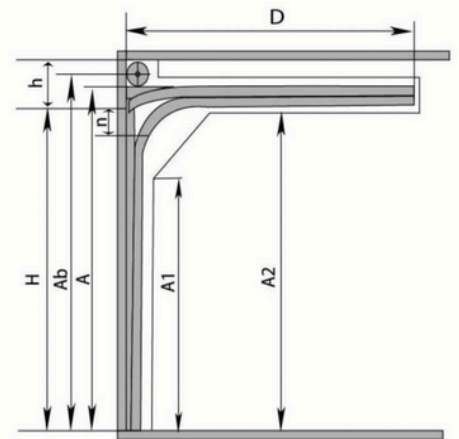
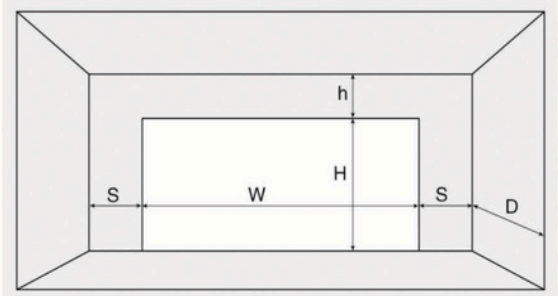
Panel width 500mm
 Panel thickness: 40mm
 Density: 45±2kg/m³
 Material: Galvanised steel
 Epoxy paint
 Foaming: B3 grade PU foam
 with 1.0mm thickness reinforcement steel
 Sponge seal

GLAXTIC



HOW TO MEASURE

Garage door sizes.

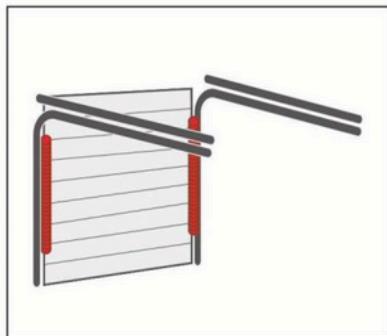


RELIABLE OPERATION

A MODULAR SYSTEM WITH A UNIVERSALLY ADJUSTABLE RAIL SET.

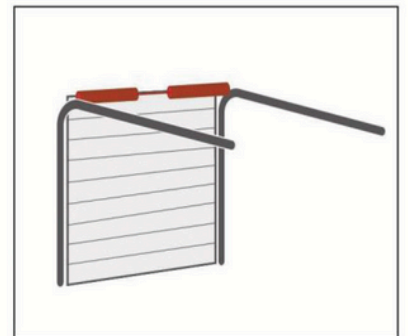
Extension Spring

Headroom min. 150mm (6")
Economic
For little installation space for the garage door.



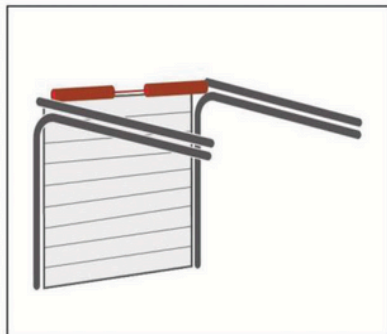
Torsion Spring- Single track

Headroom min.
350mm(14") without L-frame
min.
450mm(18") with L-frame



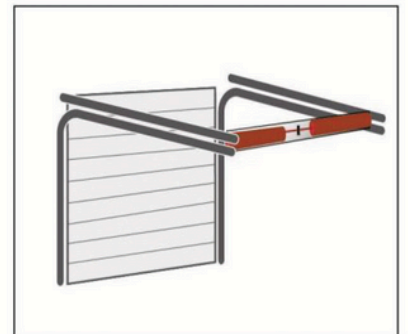
Torsion Spring- Double track

Headroom: general required
250mm(10")
Can adjust if headroom only
200mm(8")



Rear Spring

Headroom min.150mm(6")
Upgrade,Protect and Extend

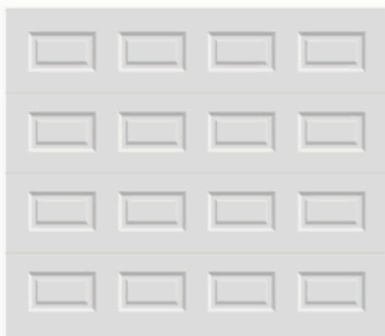




AMERICAN TYPE

CHOOSE YOUR GARAGE DOOR SIZE

Garage door sizes are generally categorized as single or double garage doors.



Single garage doors



Double garage doors

AVAILABLE COLORS

Due to the printing process, colors may vary.



White



Offwhite



Cream



Silver



Grey



Brown



Black



CHOOSE YOUR CONSTRUCTION



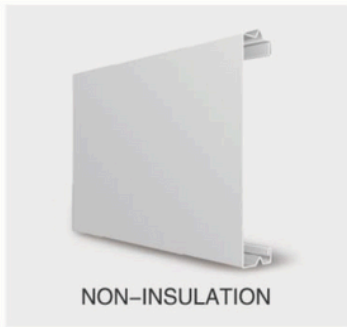
ENERGY EFFICIENCY	DURABILITY	NOISE CONTROL

2" Insulation between two layers of steel
 Panel width: 1 3/4", 1 3/5"
 Panel thickness: 2"
 Density: 45 ± 2kg/m3
 Material: Galvanised steel
 Foaming: B3 grade PU foam



ENERGY EFFICIENCY	DURABILITY	NOISE CONTROL

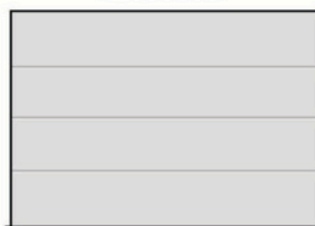
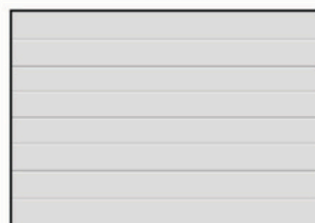
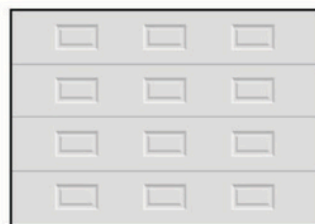
1 3/8" Insulation between two layers of steel
 Panel width: 1 3/4", 1 3/5"
 Panel thickness: 1 3/8"
 Density: 45 ± 2kg/m3
 Material: Galvanised steel
 Foaming: B3 grade PU foam



ENERGY EFFICIENCY	DURABILITY	NOISE CONTROL

One layer of durable steel
 Panel width: 1 3/4", 1 3/5"
 Panel thickness: 1 3/8"
 Material: Galvanised steel

PANEL DESIGN



- 1 Assist angle
- 2 Horizontal track
- 3 Cable
- 4 Roller
- 5 Top bracket
- 6 Shaft coupler
- 7 Tubular shaft
- 8 Torsion spring
- 9 Middle bracket
- 10 Cable drum
- 11 Track connection
- 12 Flag bracket
- 13 3# Hinge
- 14 2# Hinge
- 15 Bolt lock
- 16 1# Hinge
- 17 Jamb bracket
- 18 Bottom bracket
- 19 Handle
- 20 Vertical track

HARDWARE DESCRIPTION

Door may not open properly if installed near the top, depending on opening dimensions and lift type.



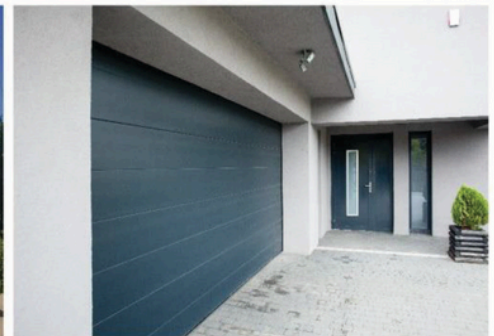
SURFACE EMBOSMENT



Woodgrain

Orange skin

Flat Mirror



AVAILABLE OPTIONS

The section/Windows options



XFW-1 Plain short



XFW-2 Diamond



XFW-3 Cross



XFW-4 Charleston



XFW-5 Mountain



XFW-6 Sunset



XFW-7 Sunset (4, 6, 8, or 10 panels across)



XFW-8 Sunset (3, 6, or 9 panels across)



XFW-9 Sunset (4 or 8 panels across)



XFW-10 Sunset (6 panels across)



XFWL-1 Stockton



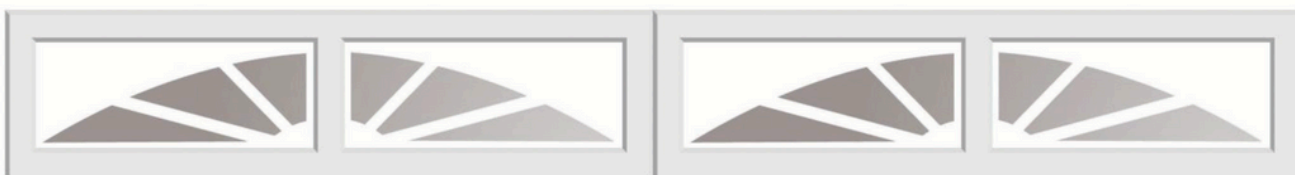
XFWL-2 Arched Stockton



XFWL-3 Cascade



XFWL-4 Waterton



XFWL-5 Wagon Wheel

ADDITIONAL OPTIONS

The garage door opener & optional control devices.



Model	SA-600	SA-800	SA-1300
Rated Voltage	230V,50/60Hz	230V,50/60Hz	230V,50/60Hz
Output torque	600N	800N	1300N
Rated current	0.7A	0.8A	0.9A
Rated power	150W	180W	210W
Max. speed	160mm/s	150mm/s	150mm/s
Suit for door	9m ²	13m ²	18m ²
Working temperature range	-20 °C ~ +60 °C		



Model	XFC-600	XFC-800	XFC-1000	XFC-1200	XFC-1500
Rated Voltage	110 or 220x(1±10%) VAC , 50/60Hz				
Output torque	600N	800N	1000N	1200N	1500N
DC motor	24V/7N	24V/8N	24V/8N	24V/8N	24V/8N
Rated current	2.5A	3.3A	4.1A	5A	6.25A
Rated power	80W	80W	100W	120W	150W
Max. speed	100mm/s	100mm/s	100mm/s	100mm/s	100mm/s
Suit for door	8-10m ²	10-12m ²	12-14m ²	14-18m ²	18-20m ²
Working temperature range	-20°C ~ +40°C				



Option:

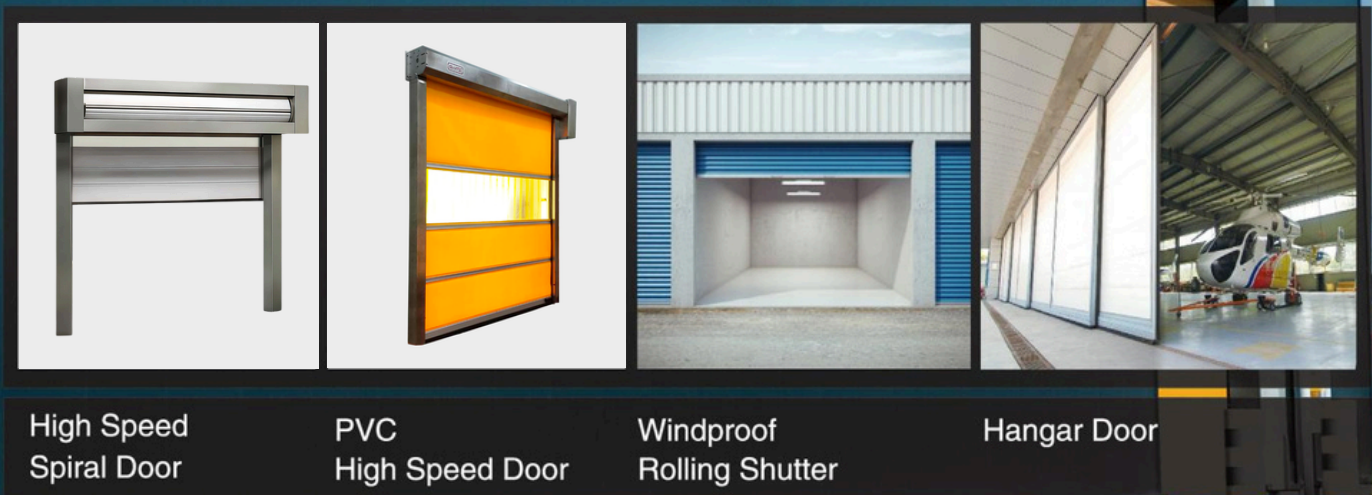
- Chain drive & belt drive
- 1/2/3 pcs rail as customer request
- Photocell
- Back-up Battery
- Radar
- Wire Wall Switch
- Wireless Wall Switch
- Code panel





CONSIDER A COMMERCIAL DOOR

Product series



High Speed
Spiral Door

PVC
High Speed Door

Windproof
Rolling Shutter

Hangar Door



GOLDVEST TRADING
(THAILAND) CO., LTD

GET IN TOUCH



66 (0) 2738-4939
081-554-5423 (SALES)



www.goldvestthai.com



sale@goldvestthai.com



**69/60 หมู่6 ถนนกิ่งแก้ว - กิ่งแก้ว ซอย 54 Racha[®]
Thewa, Bang Phli District, Samut Prakan
10540**

**Goldvest center | 69/60 Moo 6 Soi Kingkeaw
54 Kingkeaw Road Rachathewa Bang Phli
District Samut Prakran 10540**

